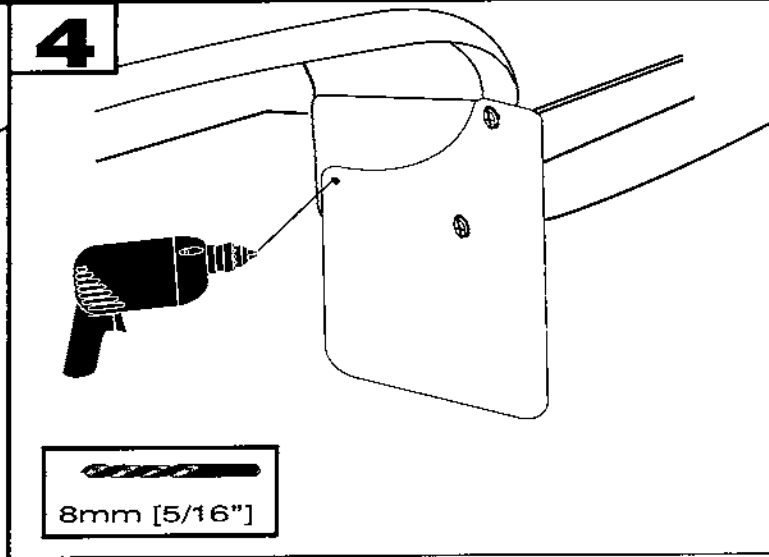
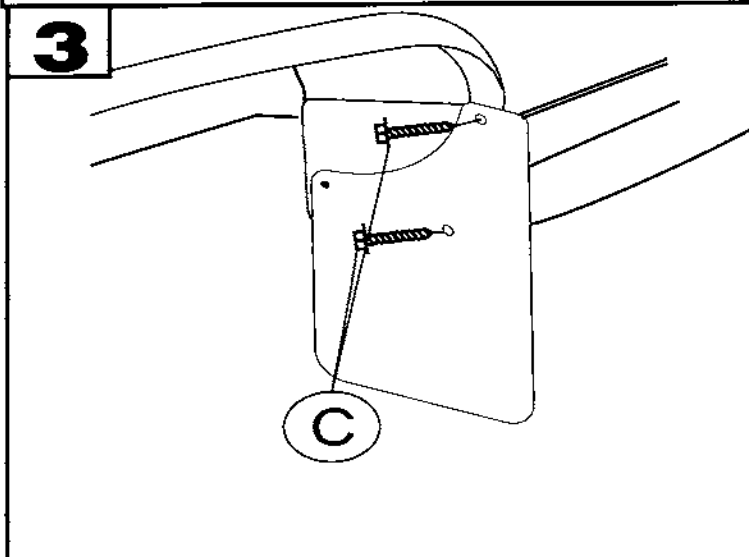
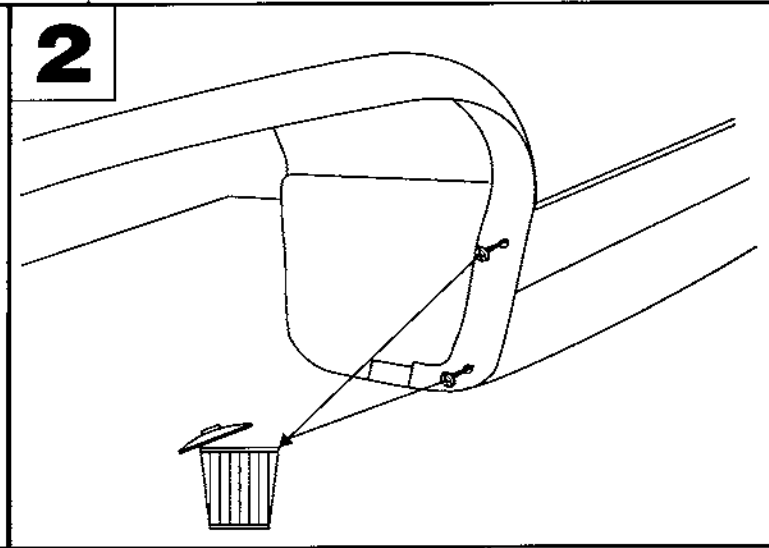
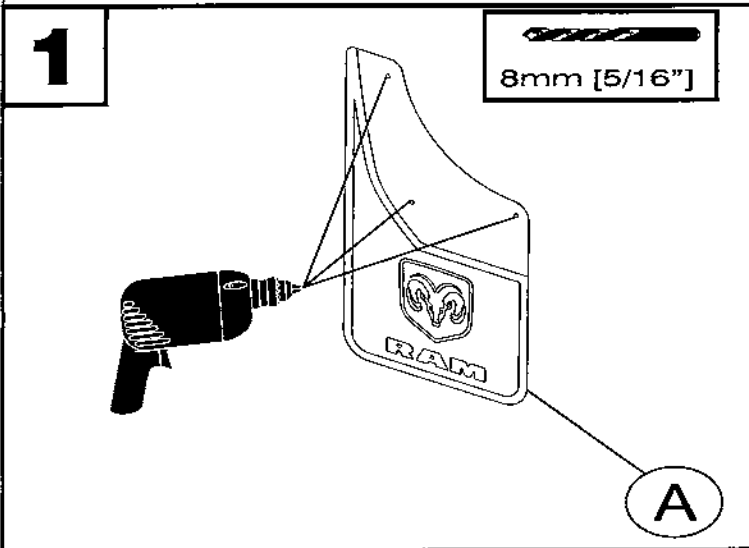
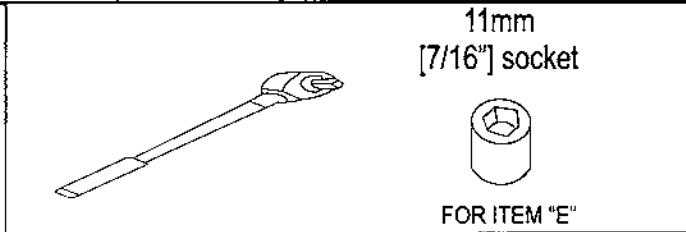
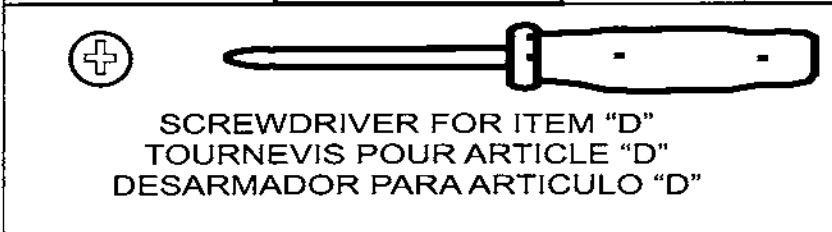
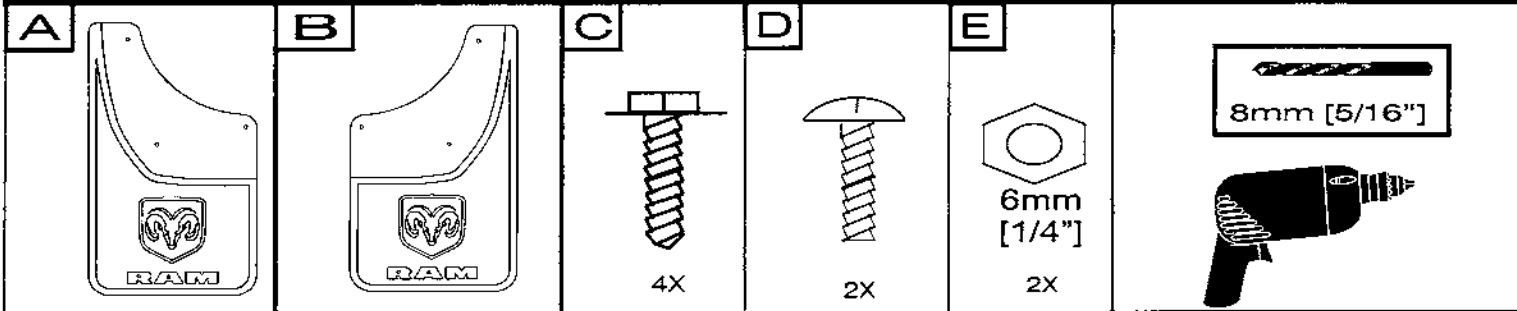




MOPAR.

Ram

Rear Splash Guards with or without Fender Flares



DO NOT USE POWER SCREWDRIVER TO TIGHTEN SCREWS. DO NOT OVERTIGHTEN
 NE PAS UTILISER DE TOURNEVIS ELECTRIQUE POUR SERRER LES VIS. PAS TROP SERRER.
 NO USAR DASARMADOR ELECTRICO PARA APRETAR LOS TORNILLOS. NO FORZAR.



Ram

Rear Splash Guards
with or without Fender Flares

